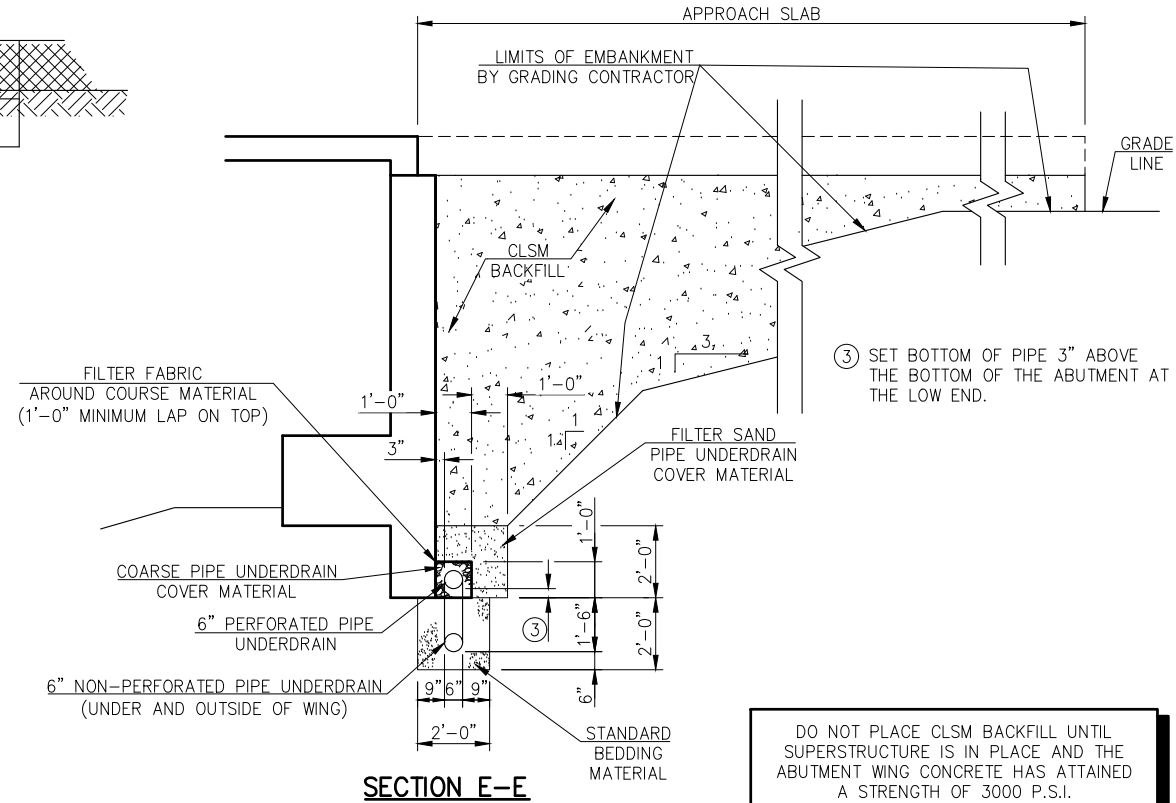
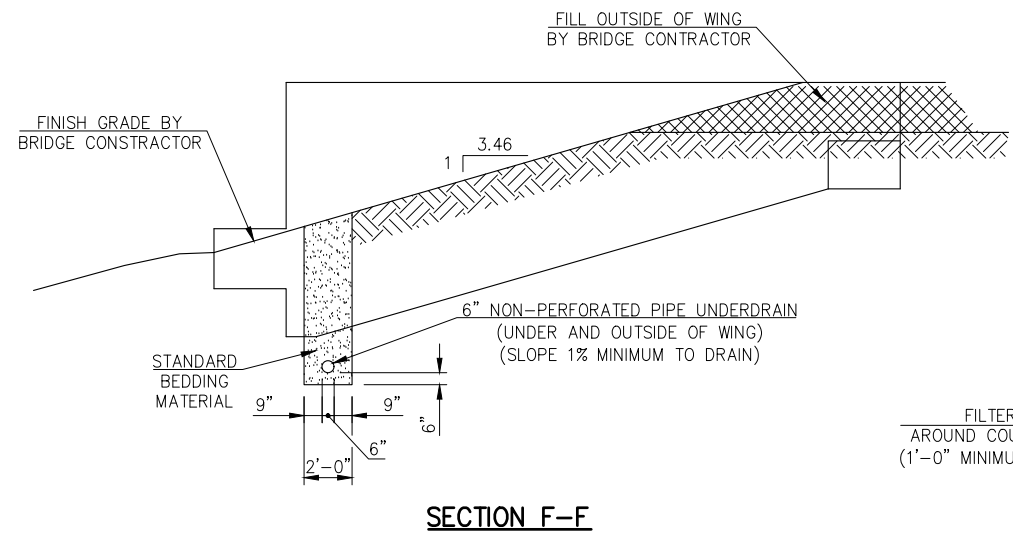
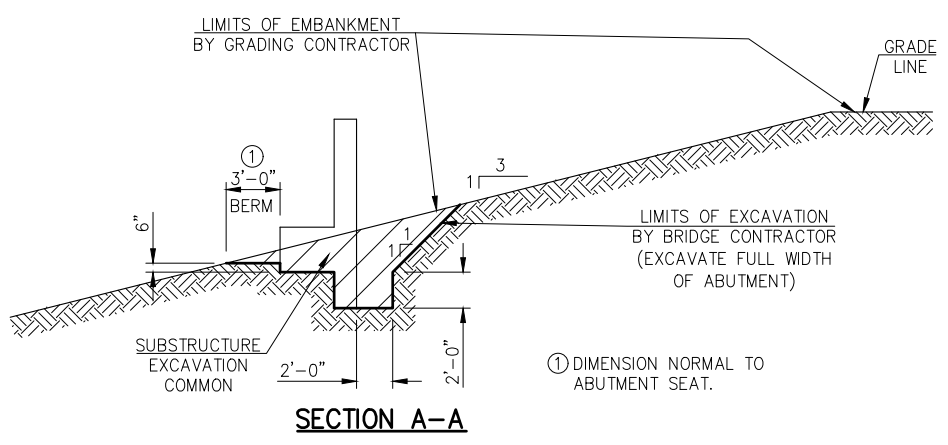
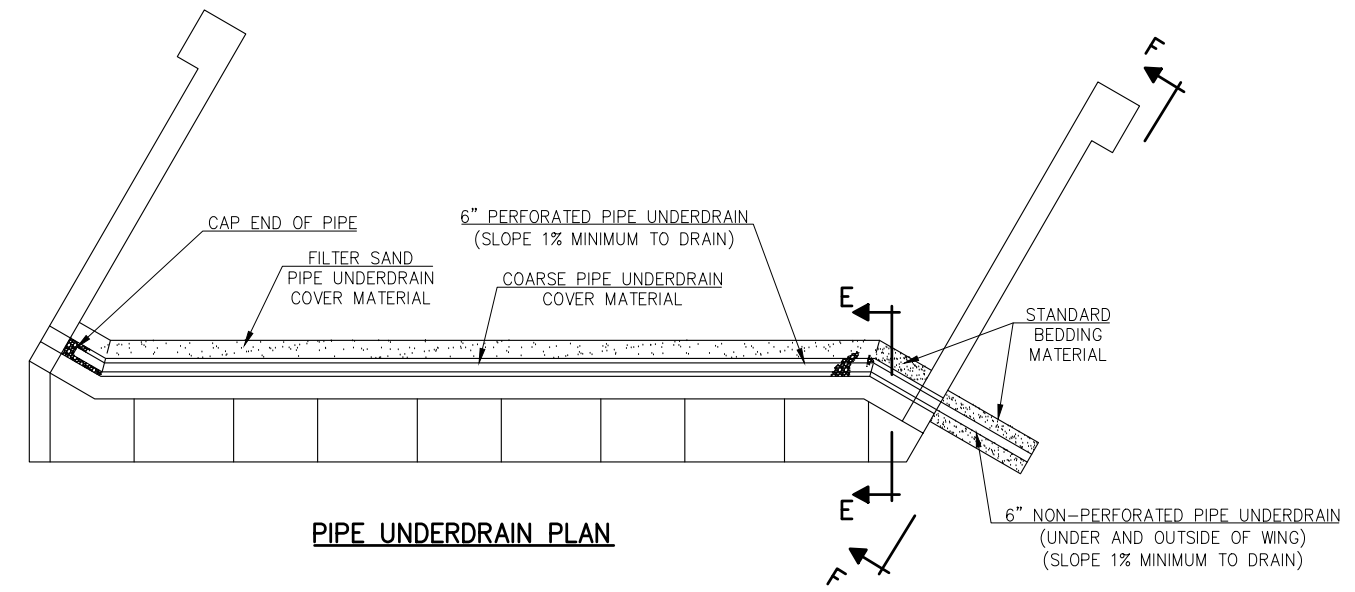
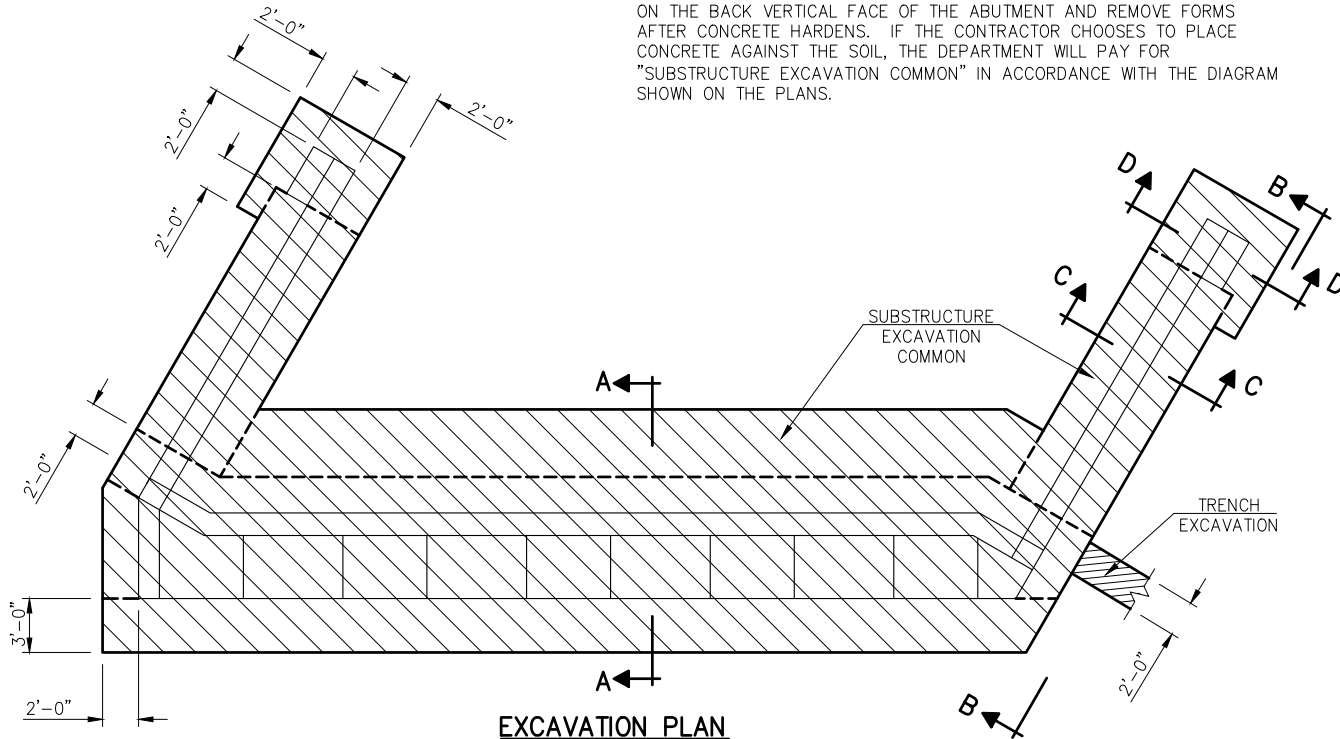


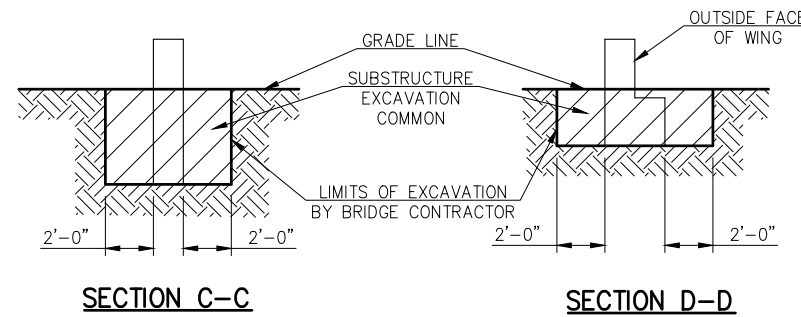
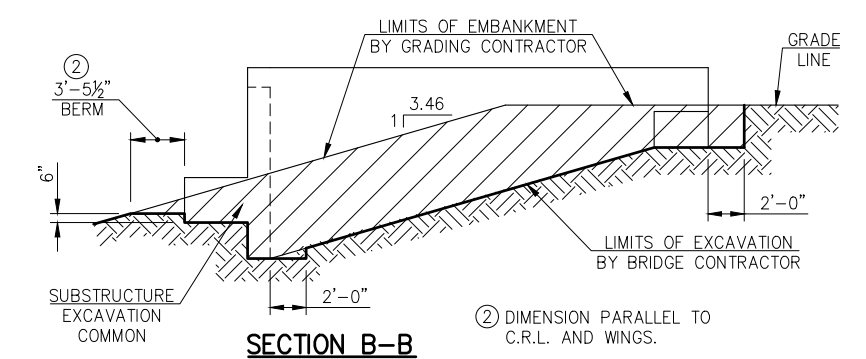
REVISIONS		
REV. NO.	DESCRIPTION	DATE

NOTE:
THE CONTRACTOR MAY PLACE CONCRETE AGAINST THE LIMITS OF EXCAVATION IF THE MATERIAL IS EXCAVATED TO THE NEAT LINES OF THE ABUTMENT AND APPROVED BY THE ENGINEER. IF NECESSARY, USE FORMS ON THE BACK VERTICAL FACE OF THE ABUTMENT AND REMOVE FORMS AFTER CONCRETE HARDENS. IF THE CONTRACTOR CHOOSES TO PLACE CONCRETE AGAINST THE SOIL, THE DEPARTMENT WILL PAY FOR "SUBSTRUCTURE EXCAVATION COMMON" IN ACCORDANCE WITH THE DIAGRAM SHOWN ON THE PLANS.

NOTE:
THE ENGINEER MAY ADJUST THE EXTENT, LOCATION AND DEPTH OF 6" NON-PERFORATED PIPE UNDERDRAIN DURING CONSTRUCTION. INCLUDE THE COST OF PIPE UNDERDRAIN COVER MATERIAL (BOTH FINE SAND AND COARSE), FILTER FABRIC, TRENCH EXCAVATION, STANDARD BEDDING MATERIAL, AND EQUIPMENT AND LABOR FOR THEIR INSTALLATION IN THE CONTRACT UNIT PRICE OF " 6" PERFORATED PIPE UNDERDRAIN ROUND" AND " 6" NON-PERF. PIPE UNDERDRAIN RND." INSTALL AS SHOWN ON THE PLANS AND ON STD. PUD-3.



DO NOT PLACE CLSM BACKFILL UNTIL SUPERSTRUCTURE IS IN PLACE AND THE ABUTMENT WING CONCRETE HAS ATTAINED A STRENGTH OF 3000 P.S.I.



DESIGN	MBS	5/14	SH-28 OVER SALT CREEK	NOWATA COUNTY
DETAIL	SLP	5/14	BRIDGE "A"	
CHECK	MBS	3/15	SUBSTRUCTURE EXCAVATION AND PIPE UNDERDRAIN ASSEMBLY DETAILS	
GUY ENGINEERING SERVICES, INC.			STATE JOB PIECE NO. 28857(04)	SHEET NO. B007

Monday, July 31, 2017 4:13:46 PM V:\112-716E SH-28 Salt Creek JP.28857\STRUCTURAL\DWG\Salt Creek - EXCAVATION.dwg